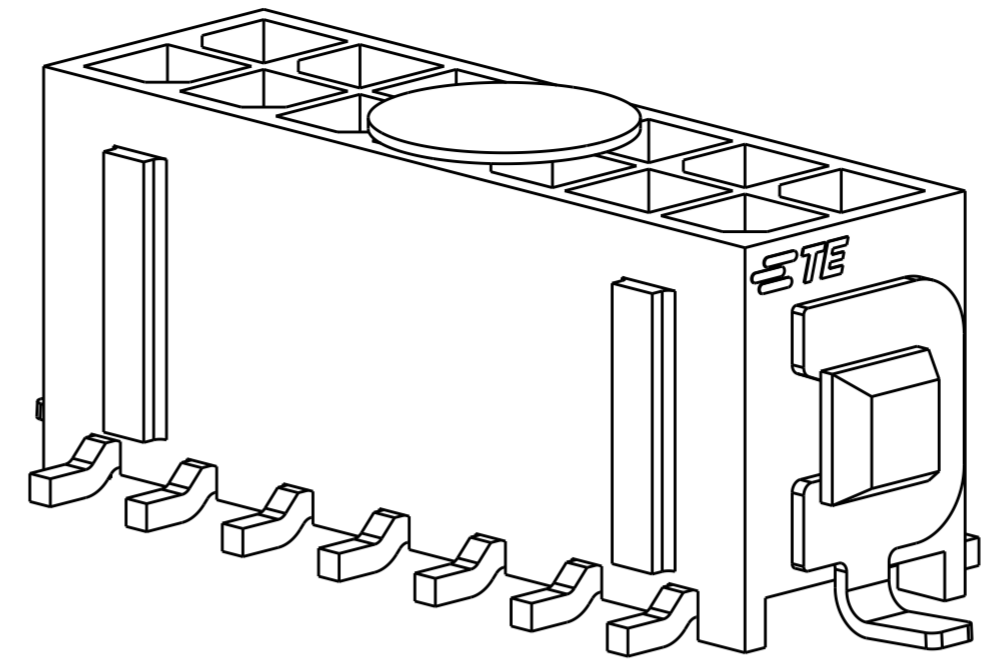
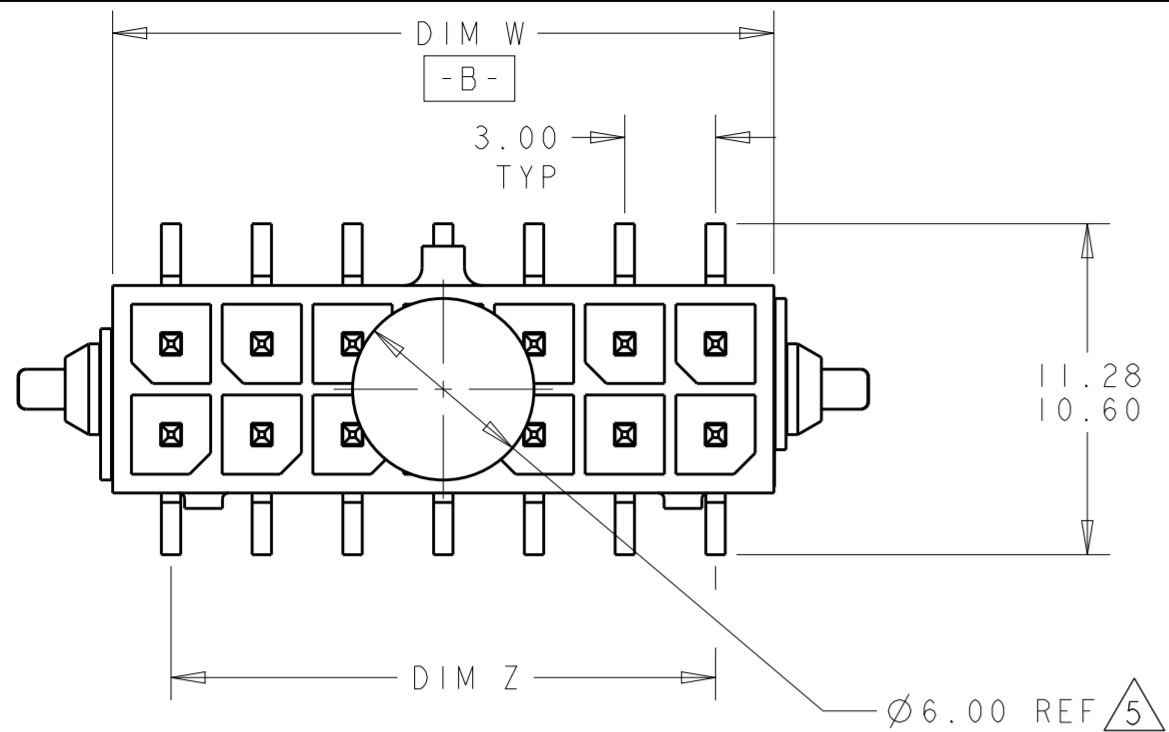
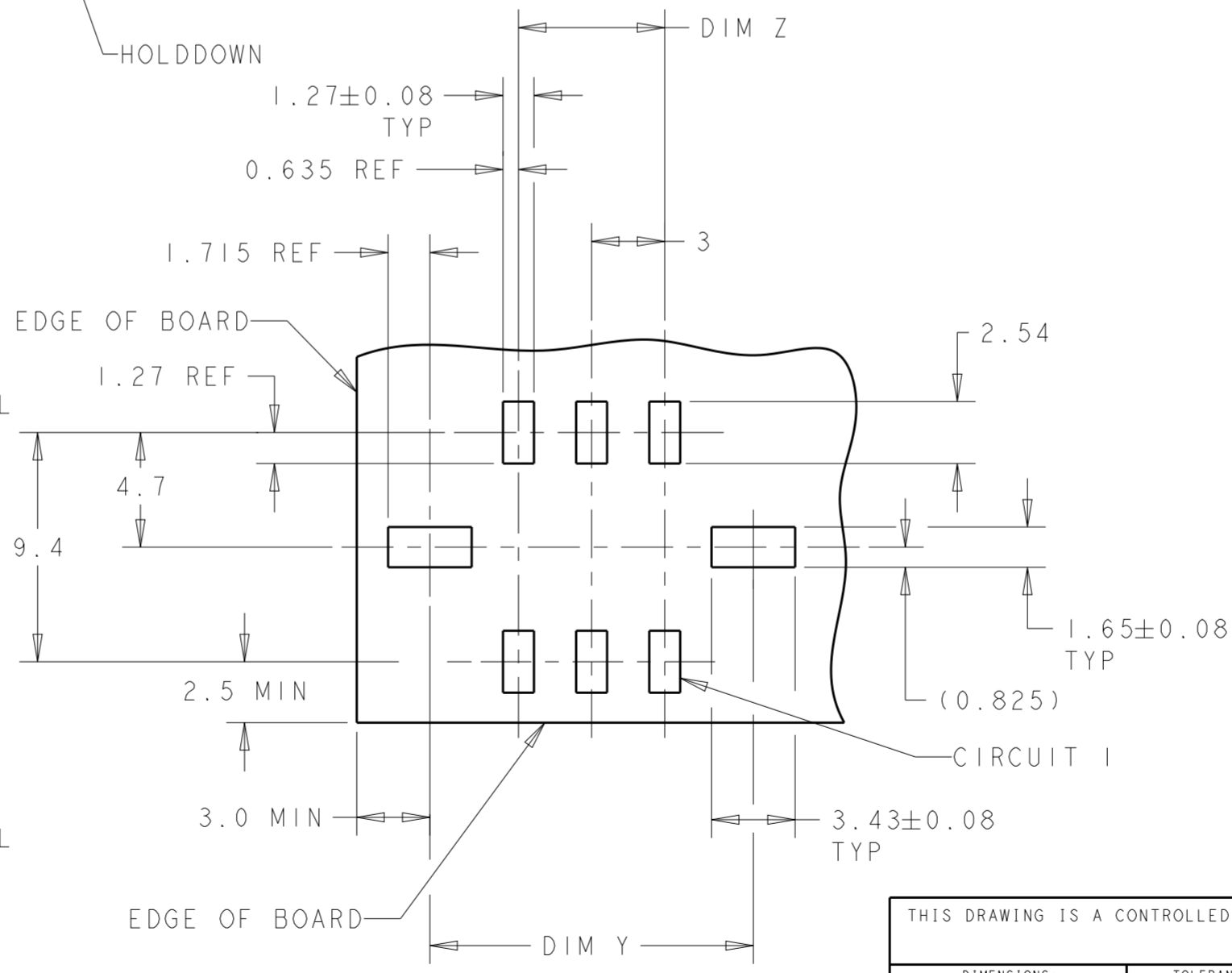
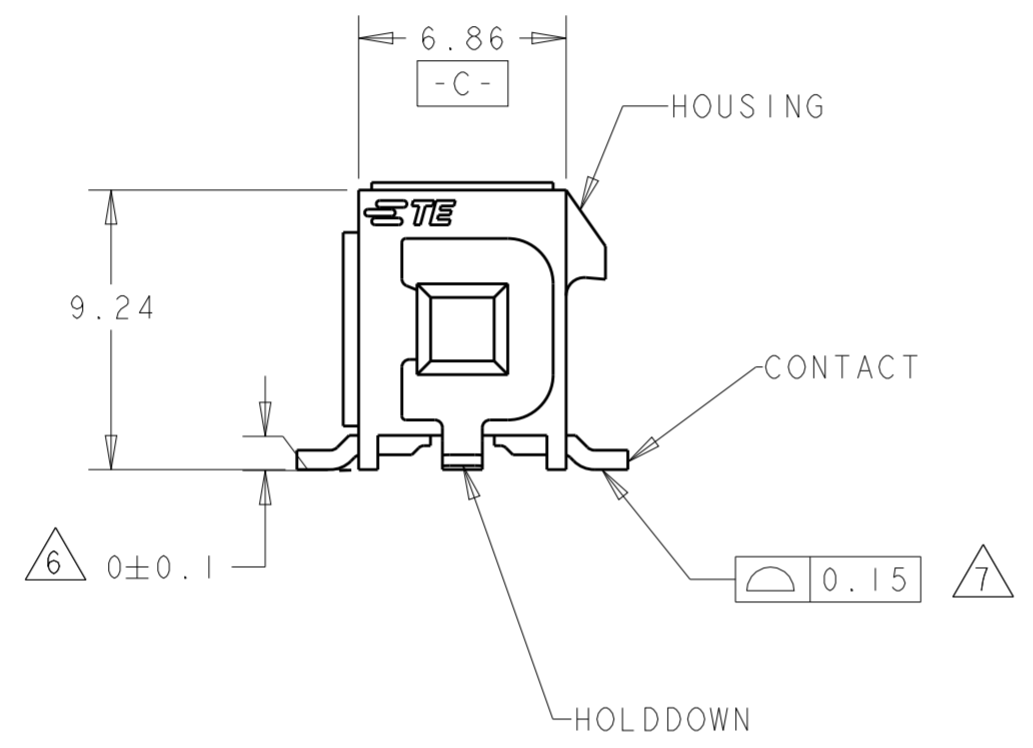
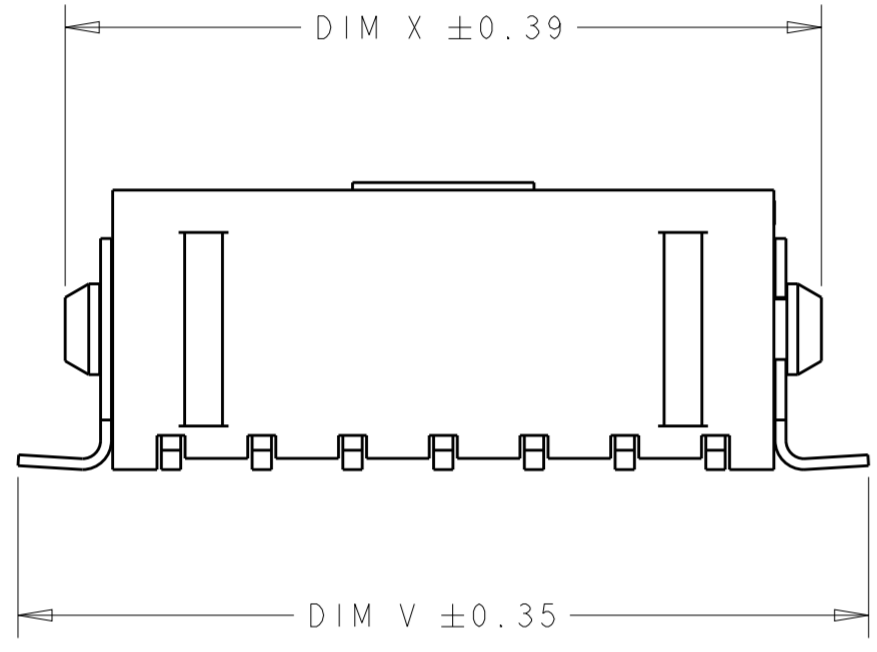


THIS DRAWING IS UNPUBLISHED. RELEASED FOR PUBLICATION 20
 © COPYRIGHT 20 BY - ALL RIGHTS RESERVED.

| LOC | DIST | REVISIONS | | | | | |
|-----|------|-----------|-----|---------------------------|------------|-----|------|
| CM | 00 | P | LTR | DESCRIPTION | DATE | DWN | APVD |
| | | J | | REVISED PER ECO-15-003291 | 27JULY2015 | SC | DZ |



SCALE 6:1



- 1 MATERIAL;
CONTACTS - BRASS.
HOUSING - UL 94V-0 RATED HIGH TEMP NYLON, COLOR; BLACK.
HOLDDOWNS - PHOSPHOR BRONZE.
- 2 PLATING;
CONTACTS - 0.38µm MINIMUM GOLD OVER 2.54µm MINIMUM NICKEL ON MATING AREA. 2.54µm TIN-LEAD MINIMUM OVER 2.54µm NICKEL MINIMUM ON SOLDER TAILS.
HOLDDOWNS - 2.54µm TIN LEAD.
- 4 RECOMMENDED PCB BOARD THICKNESS OF 1.57.
- 5 KAPTON VACUUM PICK UP BUTTON.
- 6 DIMENSION APPLIES TO SOLDER TAIL SURFACES AND STANDOFF SURFACES.
- 7 ALL SOLDER TAILS AND HOLDDOWNS.
- 8 PLATING;
CONTACTS - 0.38µm MINIMUM GOLD OVER 2.54µm MINIMUM NICKEL ON MATING AREA. 2.54µm MATTE TIN MINIMUM OVER 2.54µm NICKEL MINIMUM ON SOLDER TAILS.
HOLDDOWNS - 2.54µm MATTE TIN.

| FINISH | DIM V | DIM W | DIM Y | DIM Z | DIM X | NO. OF POSN. | PART NUMBER |
|--------|-------|-------|-------|-------|-------|--------------|-------------|
| 8 | 43.04 | 36.86 | 40.27 | 33.00 | 40.00 | 24 | 5-794637-4 |
| 8 | 40.04 | 33.86 | 37.27 | 30.00 | 37.00 | 22 | 5-794637-2 |
| 8 | 37.04 | 30.86 | 34.27 | 27.00 | 34.00 | 20 | 5-794637-0 |
| 8 | 34.04 | 27.86 | 31.27 | 24.00 | 31.00 | 18 | 4-794637-8 |
| 8 | 31.04 | 24.86 | 28.27 | 21.00 | 28.00 | 16 | 4-794637-6 |
| 8 | 28.04 | 21.86 | 25.27 | 18.00 | 25.00 | 14 | 4-794637-4 |
| 8 | 25.04 | 18.86 | 22.27 | 15.00 | 22.00 | 12 | 4-794637-2 |
| 8 | 22.04 | 15.86 | 19.27 | 12.00 | 19.00 | 10 | 4-794637-0 |
| 8 | 19.04 | 12.86 | 16.27 | 9.00 | 16.00 | 8 | 3-794637-8 |
| 8 | 16.04 | 9.86 | 13.27 | 6.00 | 13.00 | 6 | 3-794637-6 |
| 8 | 13.04 | 6.86 | 10.27 | 3.00 | 10.00 | 4 | 3-794637-4 |
| 8 | 10.04 | 3.86 | 7.27 | - | 7.00 | 2 | 3-794637-2 |
| 2 | 43.04 | 36.86 | 40.27 | 33.00 | 40.00 | 24 | 2-794637-4 |
| 2 | 40.04 | 33.86 | 37.27 | 30.00 | 37.00 | 22 | 2-794637-2 |
| 2 | 37.04 | 30.86 | 34.27 | 27.00 | 34.00 | 20 | 2-794637-0 |
| 2 | 34.04 | 27.86 | 31.27 | 24.00 | 31.00 | 18 | 1-794637-8 |
| 2 | 31.04 | 24.86 | 28.27 | 21.00 | 28.00 | 16 | 1-794637-6 |
| 2 | 28.04 | 21.86 | 25.27 | 18.00 | 25.00 | 14 | 1-794637-4 |
| 2 | 25.04 | 18.86 | 22.27 | 15.00 | 22.00 | 12 | 1-794637-2 |
| 2 | 22.04 | 15.86 | 19.27 | 12.00 | 19.00 | 10 | 1-794637-0 |
| 2 | 19.04 | 12.86 | 16.27 | 9.00 | 16.00 | 8 | 794637-8 |
| 2 | 16.04 | 9.86 | 13.27 | 6.00 | 13.00 | 6 | 794637-6 |
| 2 | 13.04 | 6.86 | 10.27 | 3.00 | 10.00 | 4 | 794637-4 |
| 2 | 10.04 | 3.86 | 7.27 | - | 7.00 | 2 | 794637-2 |

METRIC

THIS DRAWING IS A CONTROLLED DOCUMENT.

| | | | |
|----------------|--|-----------------------------|---|
| DIMENSIONS: mm | TOLERANCES UNLESS OTHERWISE SPECIFIED: | DWN K. WHITAKER 19-MAR-2003 | TE Connectivity |
| | 0 PLC ± | CHK C. JONES 19-MAR-2003 | |
| | 1 PLC ± | APVD C. JONES 19-MAR-2003 | |
| | 2 PLC ±0.13 | PRODUCT SPEC | |
| MATERIAL | ANGLES ± | APPLICATION SPEC | NAME SURFACE MOUNT, VERTICAL, MECHANICAL HOLDDOWN, ASSEMBLY, 15 GOLD HEADER DUAL ROW, MICRO MATE-N-LOK™ |
| | FINISH | WEIGHT | SIZE A20779 |
| | SEE TABLE | CUSTOMER DRAWING | CAGE CODE C-794637 |
| | | | DRAWING NO. A20779 |
| | | | RESTRICTED TO |
| | | | SCALE 4:1 |
| | | | SHEET 1 OF 1 |
| | | | REV J |